

**Novus Loop**  
**Single lever shower mixer for exposed installation**  
 Surfaces: **Chrome** Article Number: **71360000**



## Description

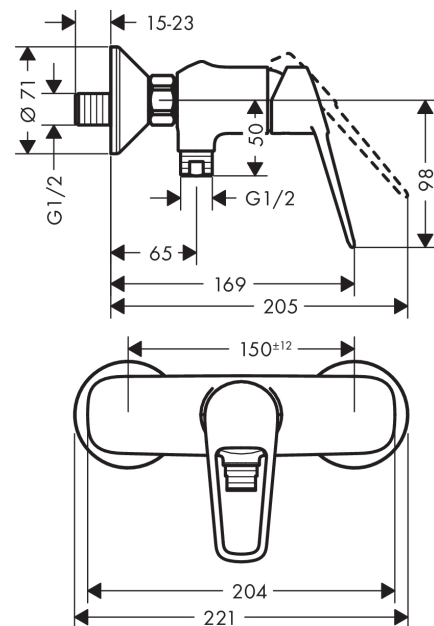
### product features

- 1 outlet
- connection type: s-shaped connections
- centre distance:  $150 \pm 12$  mm
- flow rate of hand shower at 3 bar: 15 l/min
- ceramic cartridge
- min. operating pressure: 1 bar
- max. operating pressure: 10 bar
- temperature limitation adjustable
- non-return valve
- with silencer
- hose connection DN15
- connection dimension: DN15

## Product image



## Scale drawing



## Flowchart

