

Novus

Single lever basin mixer 100 without waste set

Surfaces: **Chrome** Article Number: **71031000**



Description

product features

- ComfortZone 100
- projection 118 mm
- flow rate at 3 bar: 5 l/min
- ceramic cartridge
- temperature limitation adjustable
- suitable for continuous flow water heaters
- connection dimension: DN15
- not included: waste set

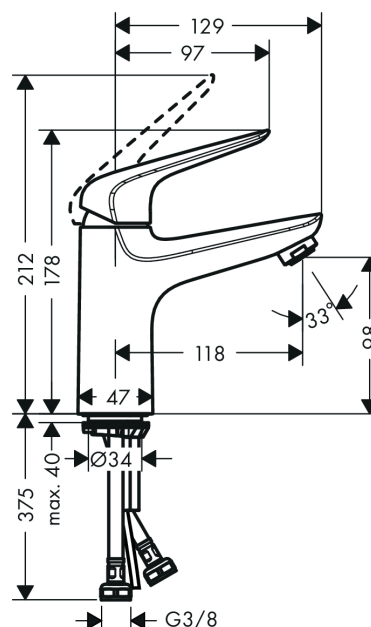
Technology



Product image



Scale drawing



Flowchart

